



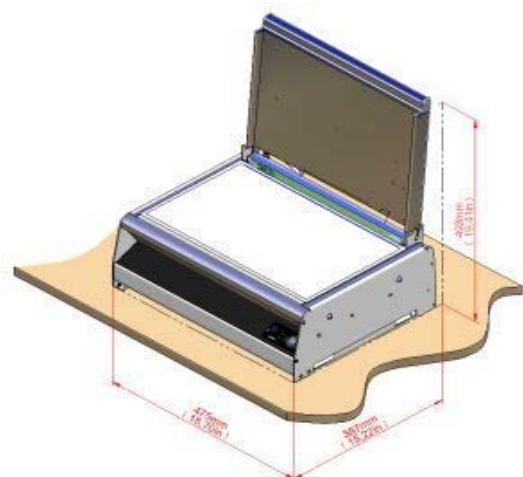
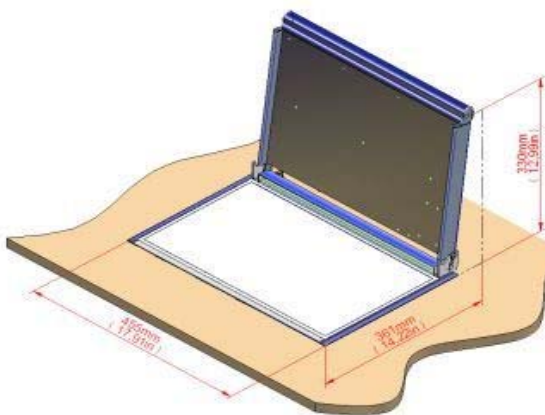
Wallas Blower Lid for 85DU & 85DP

The unit functions as a stove when the lid is lifted. When closed, blowers inside the lid are activated, blowing the heat of the hot plates into the cabin area. Most of the models (except 87D & 88DU) can be equipped with a heat blower lid.

The 270 lid has a flat construction and a high heating effect of 1900W. Despite the high temperature, the upper surface of the lid is safe to touch. This lid is ideal for boats with one roomy cabin.



Power: 900 - 1900W
Operating Voltage: 12v
Electricity Consumption: 0.28A



Dimensions (mm)
(Not to scale)



UK Distributors for Nanni Diesel & suppliers of marine equipment
01603 714077—info@peachment.co.uk—www.peachment.co.uk

