

A R PEACHMENT



TOTAL MARINE SOLUTIONS

TECHNODRIVE GEARBOXES - TM93



Description

The Technodrive TM93 marine gearbox is equipped with multiple-disc clutches hydraulically operated. Clutches and gears are properly constructed to transmit the full power, with the same ratio, both in forward and reverse running.

Options

- SAE 3, 4, BW Bell Housings
- Torsional Couplings 10" - 11.5"
- Cable Bracket
- Heat Exchanger Kit
- Trolling Valve
- Propeller Shaft Flange
- Electric Control Valve

Torsional Responsibility

Disregarding propulsion system Torsional compatibility could cause damage to components in the drive train resulting in loss of mobility. At minimum, system incompatibility could result in gear clatter at low speeds. The responsibility for ensuring that the torsional compatibility of the propulsion system is satisfactory rests with the assembler of the drive and driven equipment.

Technical Data

Ratios	Input Ratings - kW					
	Pleasure		Intermediate		Continuous	
	2600 RPM	3300 RPM	2100 RPM	2800 RPM	1800 RPM	2400 RPM
1.51	139	176	93	124	73	98
2.09	120	152	80	107	64	85
2.40	106	135	71	95	57	77
2.77	93	117	62	83	50	66

Maximum Engine Speed 4500 rpm

Dry Weight 53Kg

Oil Quantity 2.4 litres



A R Peachment Ltd
Riverside Estate
Brundall
Norwich
NR13 5PL



info@peachment.co.uk



www.peachment.co.uk



+44 (0) 1603 714077



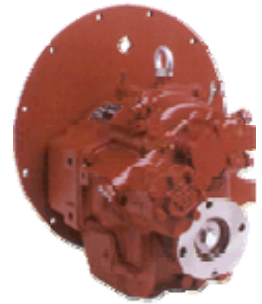
+44 (0) 1603 712211



A R PEACHMENT

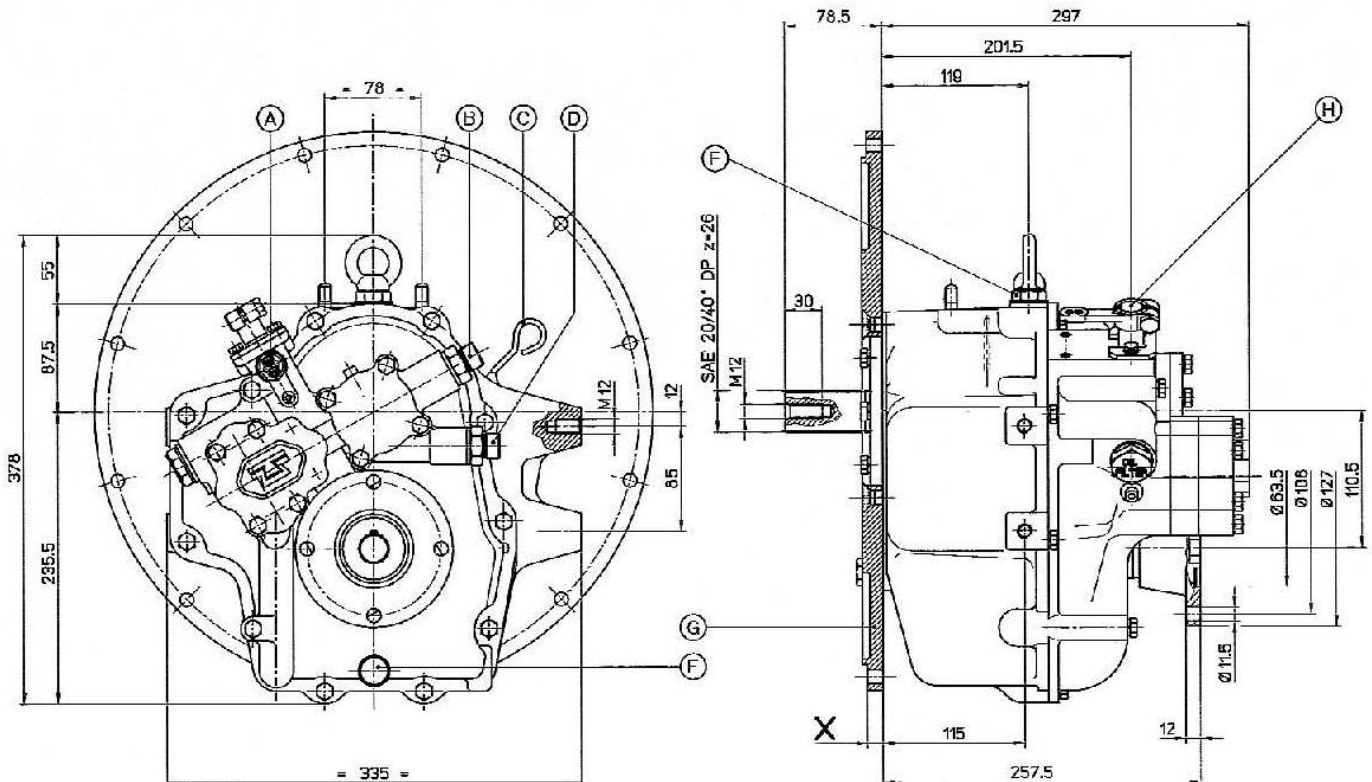
TOTAL MARINE SOLUTIONS

TECHNODRIVE GEARBOXES - TM93



Dimensions

- | | | | |
|---|-------------------|---|-------------------|
| A | Neutral Indicator | F | Filling Plug |
| B | Oil from cooler | G | Oil breather plug |
| C | Oil dipstick | H | Mounting Flange |
| D | Oil to cooler | I | Actuating Lever |
| E | Oil drain plug | | |



A R Peachment Ltd
Riverside Estate
Brundall
Norwich
NR13 5PL



info@peachment.co.uk



www.peachment.co.uk



+44 (0) 1603 714077



+44 (0) 1603 712211

