

A R PEACHMENT



TOTAL MARINE SOLUTIONS

TECHNODRIVE GEARBOXES - TMC260



Description

The Technodrive TMC260 marine gearbox unit is equipped with conical clutches mechanically operated, actuated by a servo-system; gears are specially constructed for quiet operation and bearings are amply proportioned.

Options

- BW Housing
- SAE 5 Bell Housing
- Torsional Coupling
- Oil Cooler
- Cable Bracket

Torsional Responsibility

Disregarding propulsion system torsional compatibility could cause damage to components in the drive train resulting in loss of mobility. At minimum, system incompatibility could result in gear clatter at low speeds. The responsibility for ensuring that the torsional compatibility of the propulsion system is satisfactory rests with the assembler of the drive and driven equipment.

Technical Data

Ratios		Input Ratings - kW					
Forward	Reverse	Pleasure		Intermediate		Continuous	
		3000 RPM	3600 RPM	2800 RPM	3000 RPM	1800 RPM	2300 RPM
1.54	2.00	82	84	65	69	36	46
2.00	2.00	82	84	65	69	36	46
2.47	2.47	66	79	52	56	26	34
2.88	2.47	56	68	45	48	21	26

Maximum Engine Speed 5000 rpm

Maximum Engine Power 85kW

Dry Weight 18kg

Oil Quantity 1.2 litres



A R Peachment Ltd
Riverside Estate
Brundall
Norwich
NR13 5PL



info@peachment.co.uk



www.peachment.co.uk



+44 (0) 1603 714077



+44 (0) 1603 712211



A R PEACHMENT



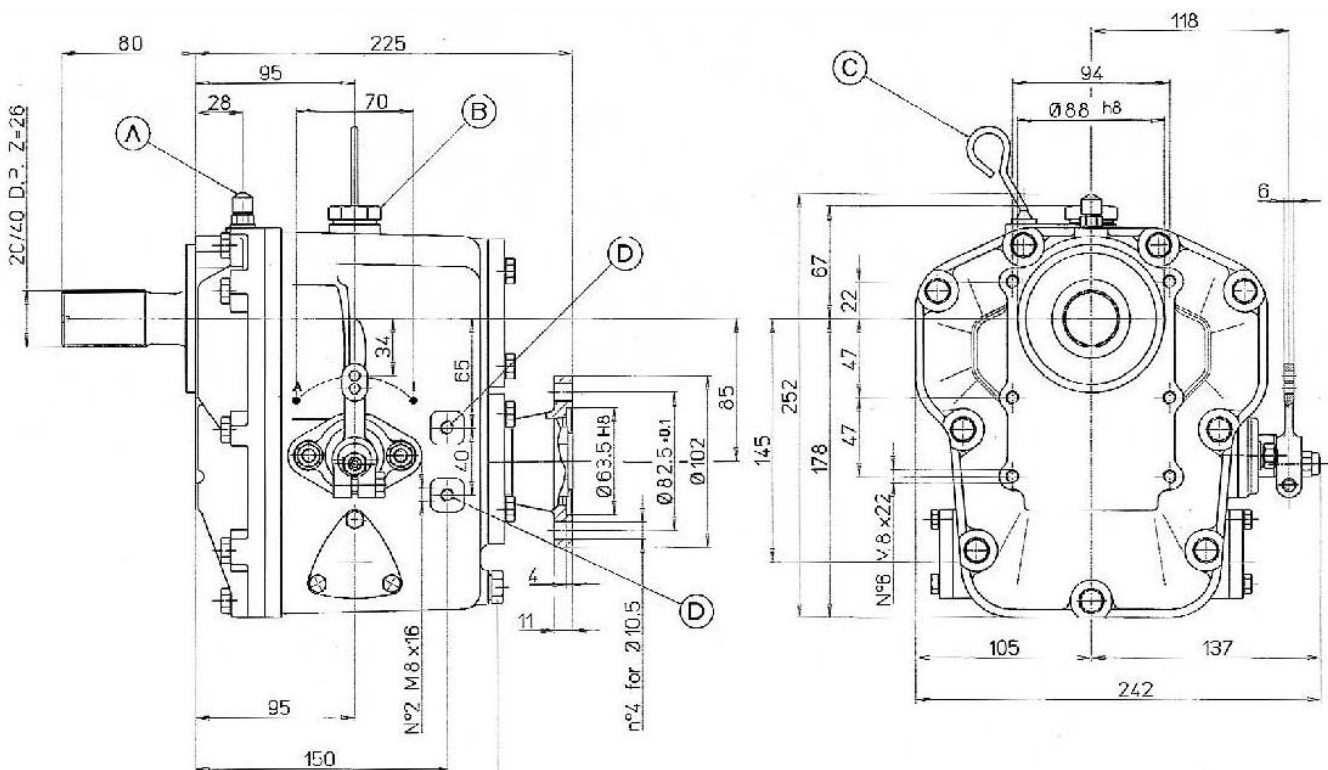
TOTAL MARINE SOLUTIONS

TECHNODRIVE GEARBOXES - TMC260



Dimensions

- A Oil Breather Plug
- B Filling Plug
- C Oil Dipstick
- D Holes for Control Cables Bracket
- E Oil Drain Plug



✉ A R Peachment Ltd
Riverside Estate
Brundall
Norwich
NR13 5PL

📧 info@peachment.co.uk
🌐 www.peachment.co.uk
☎ +44 (0) 1603 714077
📠 +44 (0) 1603 712211

