

A R PEACHMENT



TOTAL MARINE SOLUTIONS



GEARBOXES - ZF12M



Vertical offset, direct mount marine transmission

Maximum Input (Must not be exceeded)			
Duty	kW	HP	RPM
Pleasure	55	73	5000
Light	40	67	5000
Medium	46	61	5000
Continuous	40	53	5000

Desiption

- Reverse reduction marine transmission with mechanically actuated multi-disc clutches.
- Suitable for high performance applications in luxury sailboats, motoryachts, fishing boats, etc.
- Robust design also withstands continuous duty in workboat applications.
- Fully works tested, reliable and simple to install.
- Design, manufacture and quality control standards comply with ISO 9001.

Features

- Lightweight and robust aluminium alloy casing (sea water resistant) .
- Case hardened and precisely ground gear teeth for long life and smooth running.
- Output shaft thrust bearing designed to take maximum propeller thrust.
- Compact, space saving design.

Options

- Engine-matched torsional coupling.
- BW, SAE 4, SAE 5 and SAE 6 bell housings
- Oil cooler. To be used when input power exceeds following values:- Pos <A> not required - Pos 25kW
- Control cable bracket for mounting of push-pull cable to the control lever.
- Classification by all major Classification Societies on request.



A R Peachment Ltd
Riverside Estate
Brundall
Norwich
NR13 5PL



info@peachment.co.uk



www.peachment.co.uk



+44 (0) 1603 714077



+44 (0) 1603 712211



A R PEACHMENT

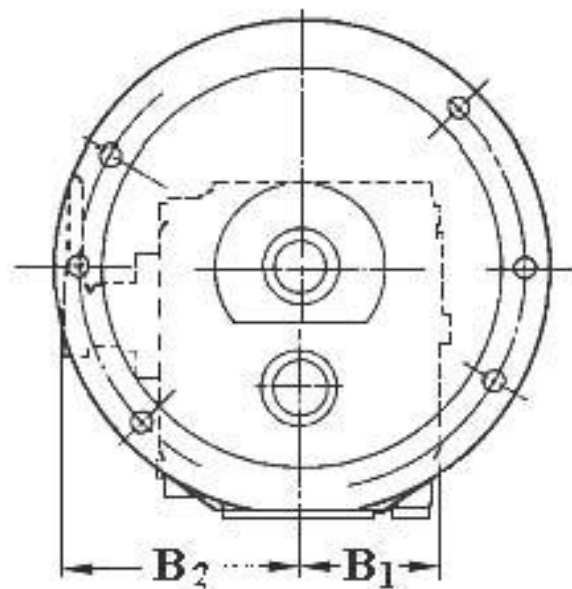
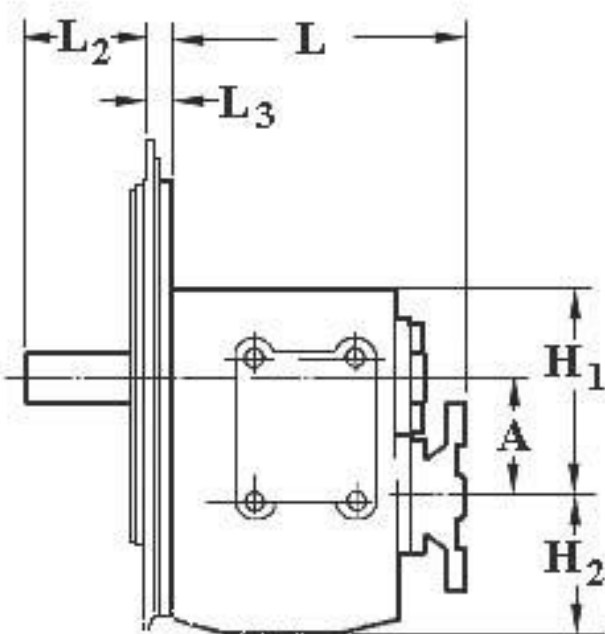
TOTAL MARINE SOLUTIONS



GEARBOXES - ZF10M



Dimensions



mm (inches)

A	B ¹	B ²	C	H ¹	H ²	L	L ²	L ³	Bell Hsg.
72.0 (2.83)	80.0 (3.15)	128 (5.04)	-	110 (4.33)	73.0 (2.87)	180 (7.09)	60.0 (2.36)	15.0 (0.59)	B/W
Weight kg (lb)					Oil Capacity Litre (US qt)				
10.3 (23.0)					0.42 (0.45)				



A R Peachment Ltd
Riverside Estate
Brundall
Norwich
NR13 5PL



info@peachment.co.uk



www.peachment.co.uk



+44 (0) 1603 714077



+44 (0) 1603 712211



manni
energy in blue

A R PEACHMENT



TOTAL MARINE SOLUTIONS

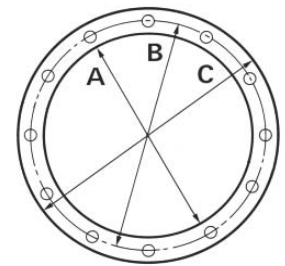


GEARBOXES - ZF10M



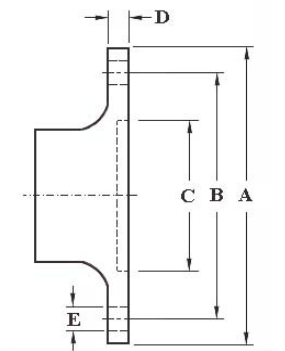
SAE Bell Housing Dimensions

SAE No.	A		B		C		Bolt Holes		
	mm	in	mm	in	mm	in	No	Diameter	
								mm	in
4	361.95	14.25	381.0	15.0	403.23	15.875	12	10.32	13/32
5	314.33	12.375	333.38	13.125	355.6	14.0	8	10.32	13/32
6	266.7	10.5	285.75	11.25	307.98	12.125	8	10.32	13/32



Output Coupling Dimensions

A		B		C		D		Bolt Holes		
mm	in	mm	in	mm	in	mm	in	No	Diameter	
									mm	in
102	4.02	82.5	3.25	63.5	2.50	10.0	0.39	4	10.5	0.41



A R Peachment Ltd
Riverside Estate
Brundall
Norwich
NR13 5PL



info@peachment.co.uk



www.peachment.co.uk



+44 (0) 1603 714077



+44 (0) 1603 712211



manni
energy in blue