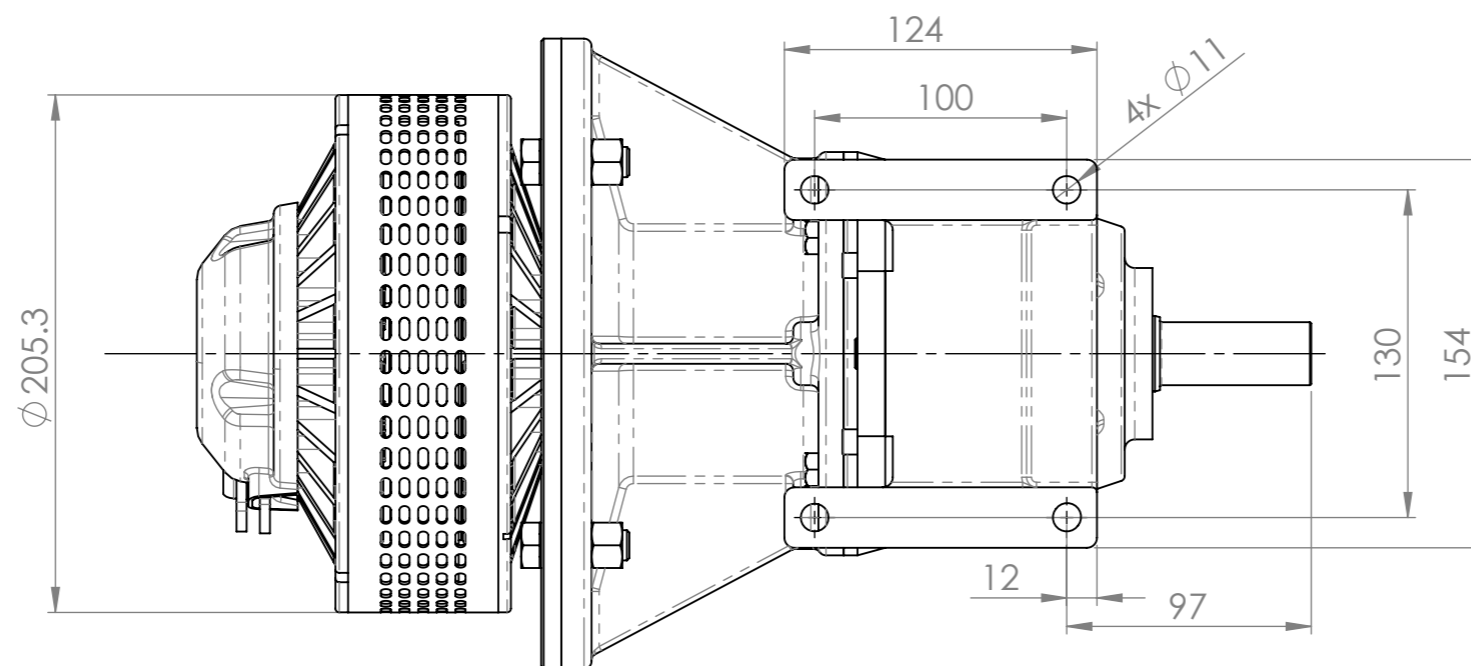
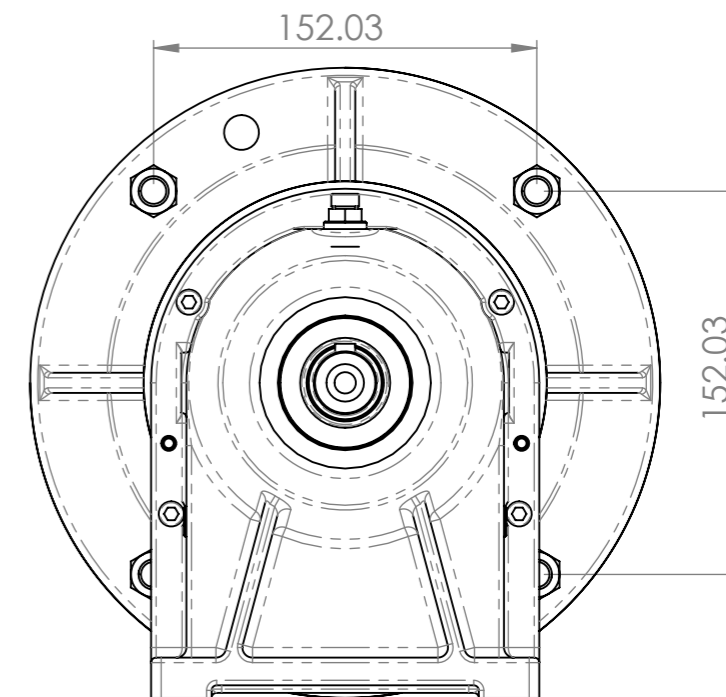
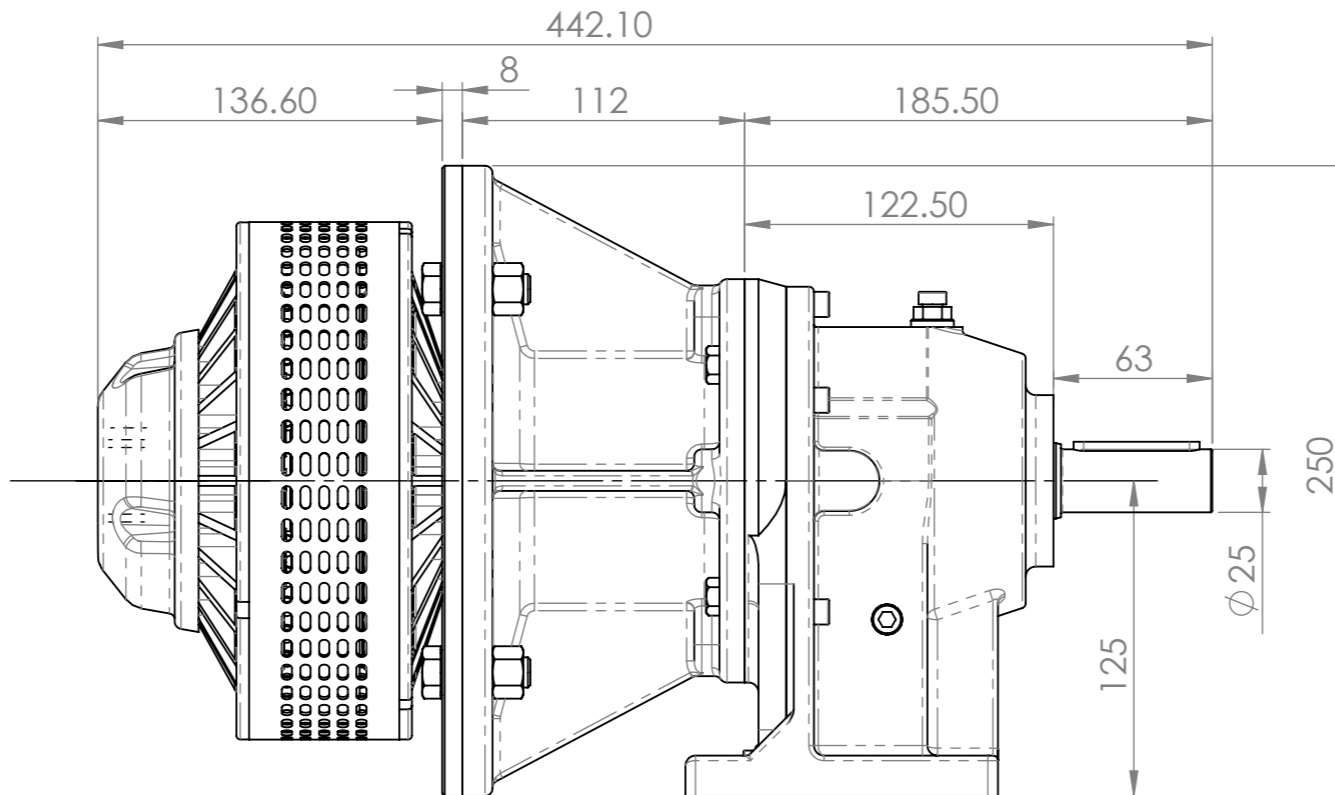
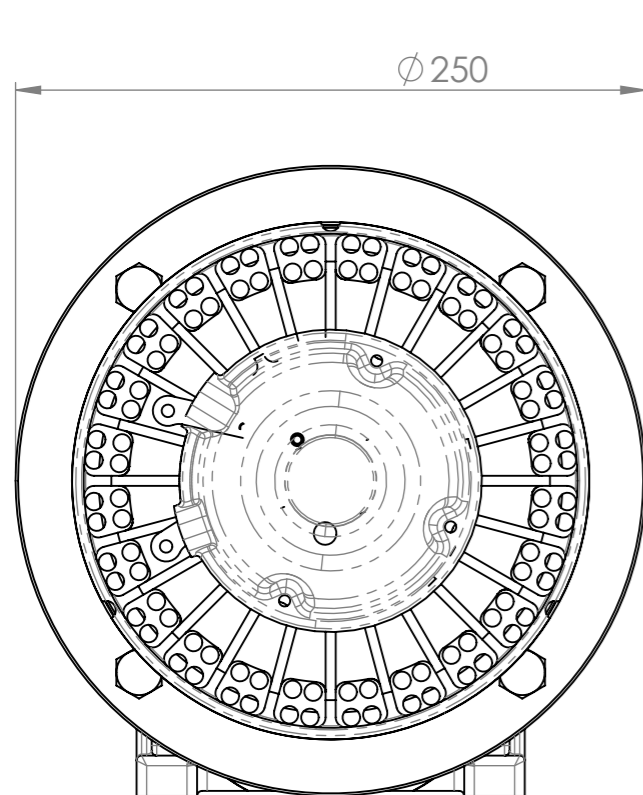


DO NOT SCALE DRAWING

3RD ANGLE PROJECTION

A3



| Rev | Description/Change Note | Date | Rev. By | Chkd |
|-----|-------------------------|------|---------|------|
|-----|-------------------------|------|---------|------|

1 2 3 4

DRAWN BY: **Alphatech**  
 Design & Manufacture  
 Industrial & Mechanical Design Engineers  
 www.alphatech-design.co.uk

**CONFIDENTIAL**  
 This confidential drawing and copyright therein is the property of L.M.C Ltd, and is neither to be copied in any way nor disclosed to any third party without the prior written consent of L.M.C Ltd.



Lynch Motor Company Ltd  
 Unit 27, Flightway Business Park,  
 Dunkeswell, Honiton, Devon, EX14 4RJ.  
 Tel: +44 (0) 1404 892940  
 Email: info@lynchmotors.co.uk

|                   | NAME    | DATE       |
|-------------------|---------|------------|
| DRAWN             | CAL     | 25/09/2017 |
| CHK'D             | -       | -          |
| APP'V'D           | -       | -          |
| SUPPLIER:         | FINISH: |            |
| -                 |         |            |
| SUPPLIERS PARTNO. |         |            |

UNLESS OTHERWISE SPECIFIED:  
 DIMENSIONS ARE IN MILLIMETERS  
 TOLERANCES:  
 LINEAR:  
 ANGULAR:  
 MATERIAL:  
 Material <not specified>

| TITLE:                          | DWG NO.   | REVISION |
|---------------------------------|-----------|----------|
| Lancereal Gearbox and 200 Motor | LEM00326A | -        |

WEIGHT: 7650.885 SCALE:1:3 SHEET 1 OF 1