

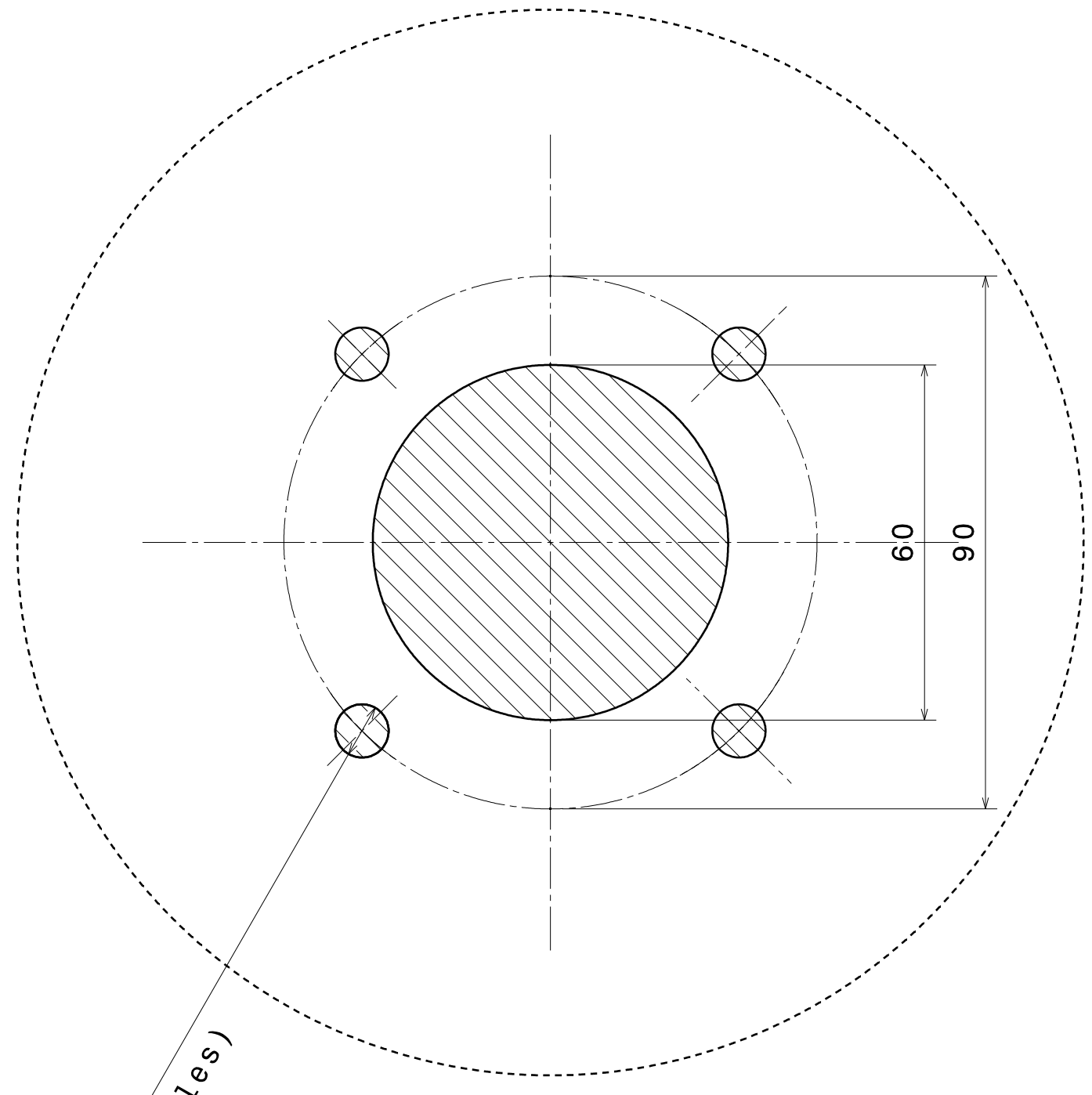
8 7 6 5 4 3 2 1

Ref.	Date	Name	RFC Nr.	Description
-	13/05/2020	I.rivolta	RM 2068	New emission

D

C

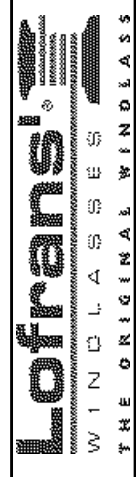
B



$\varnothing 9$
(Nr. 4 holes)

----- Overall dimension

_____ Cutout line



This drawing is our property and it is confidential. It cannot be reproduced or communicated without our written agreement.
General dimension - Class of allowances UNI EN ISO 22768 - m
The piece must be free from sharp edges and shocks

Deck Template

Product family CETO		Drawing filename ---		Drawn by I.rivolta		Date 13/05/2020	
Part number ---		Treatment ---		Checked by I.rivolta		Date 13/05/2020	
Material ---		Revision ---		Expl.Nr. ---		Scale 1:1	
Weight ---		Kgs		Sheet 1/1		Size A3	

8 7 6 5 4 3 2 1

A

D

C

B