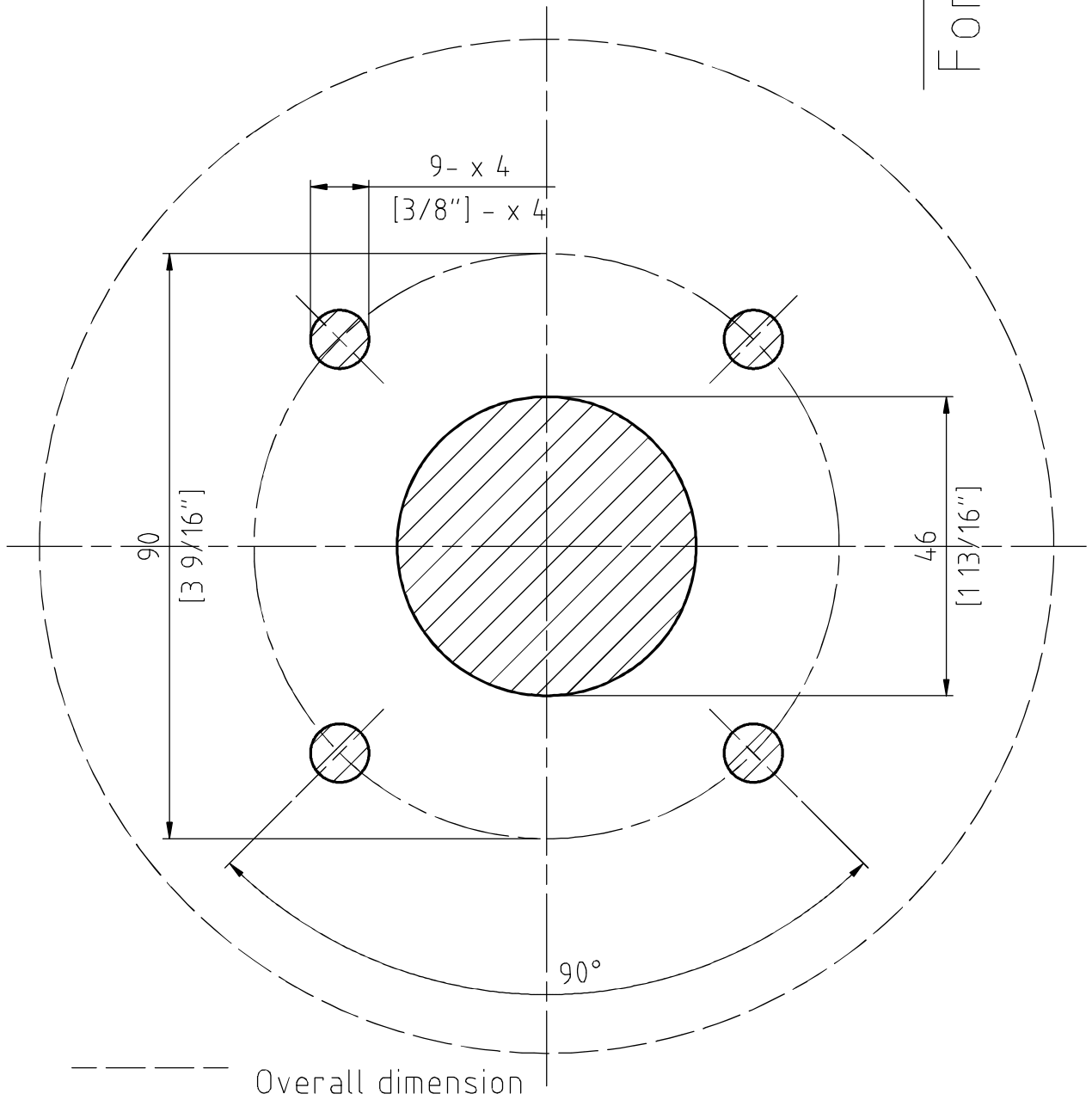


WARNING! Drawing could be not to scale once printed please verify the dimensions of the print out are correct prior to start the installation of the windlass

↑
Forward



----- Overall dimension

————— Cutout line