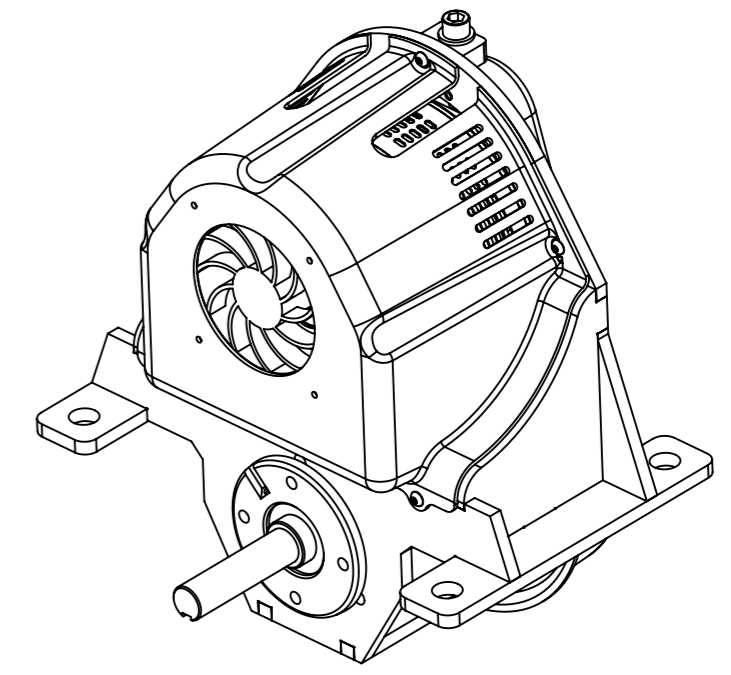
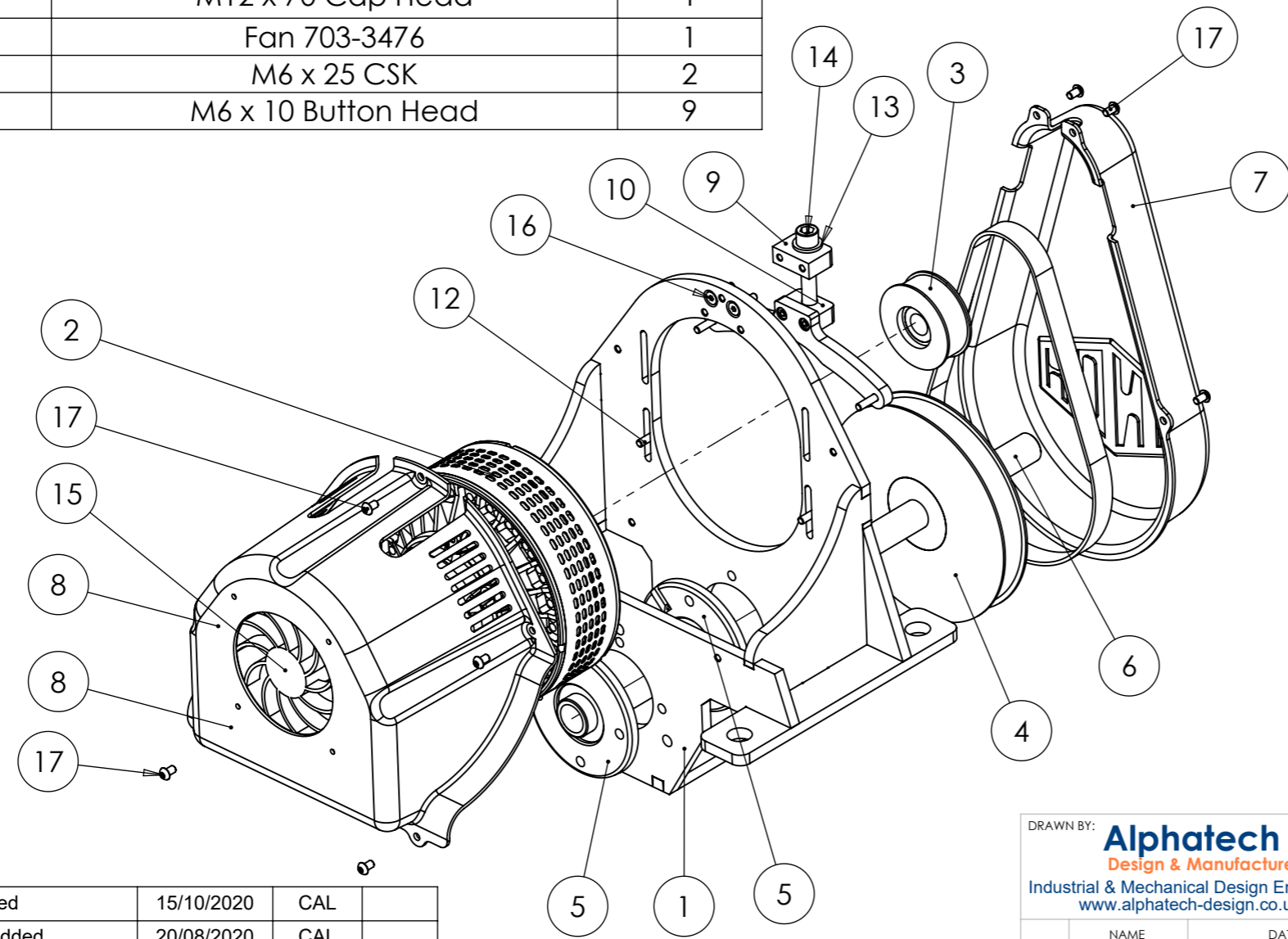
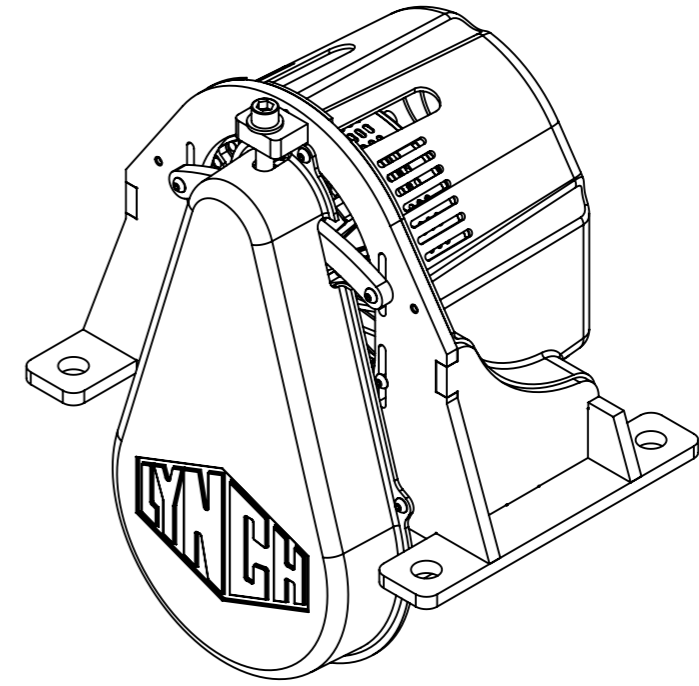


ITEM NO.	PART NUMBER	DESCRIPTION	QTY.
1	LEM00164A	Single Marine Frame	1
2	LEM00054A	LMC200 Motor Assembly	1
3	-	28 Teeth Pulley	1
4	-	72 Teeth Pulley	1
5	FC25A	Self-Lube cast iron flange cartridge bearing unit FC serie for shaft Ø25mm	2
6	LEM00174P	Marine Keyed Shaft	1
7	LEM00380P	Single Motor Frame - Belt Cover	1
8	LEM00382P	Single Motor Frame - Motor Cover	1
9	LEM00497P	Marine Frame - tensioner locator	1
10	LEM00493A	Marine Frame - tensioner assembly	1
11		M6 x 30 Button Head	2
12		M6 x 20 Button Head	2
13		Bright Steel washer M12	1
14		M12 x 70 Cap Head	1
15	-	Fan 703-3476	1
16		M6 x 25 CSK	2
17		M6 x 10 Button Head	9

DO NOT SCALE DRAWING

3RD ANGLE PROJECTION A3



06	Assembly Updated	15/10/2020	CAL	
05	Tensioner system added	20/08/2020	CAL	
04	Assembly Updated	13/02/2020	CAL	
03	Assembly Updated	15/01/2019	CAL	
02	Assembly Updated	22/05/2017	CAL	
01	Assembly Updated	07/04/2017	CAL	
Rev	Description/Change Note	Date	Rev. By	Chkd

DRAWN BY: Alphatech Design & Manufacture Industrial & Mechanical Design Engineers www.alphatech-design.co.uk	
NAME	DATE
DRAWN: CAL	04/09/2012
CHK'D: -	-
APP'V'D: -	-
SUPPLIER:	FINISH:
-	-
SUPPLIERS PARTNO.	

CONFIDENTIAL
This confidential drawing and copyright therein is the property of L.M.C Ltd, and is neither to be copied in any way nor disclosed to any third party without the prior written consent of L.M.C Ltd.

UNLESS OTHERWISE SPECIFIED:
DIMENSIONS ARE IN MILLIMETERS
TOLERANCES:
LINEAR:
ANGULAR:
MATERIAL:
Material <not specified>

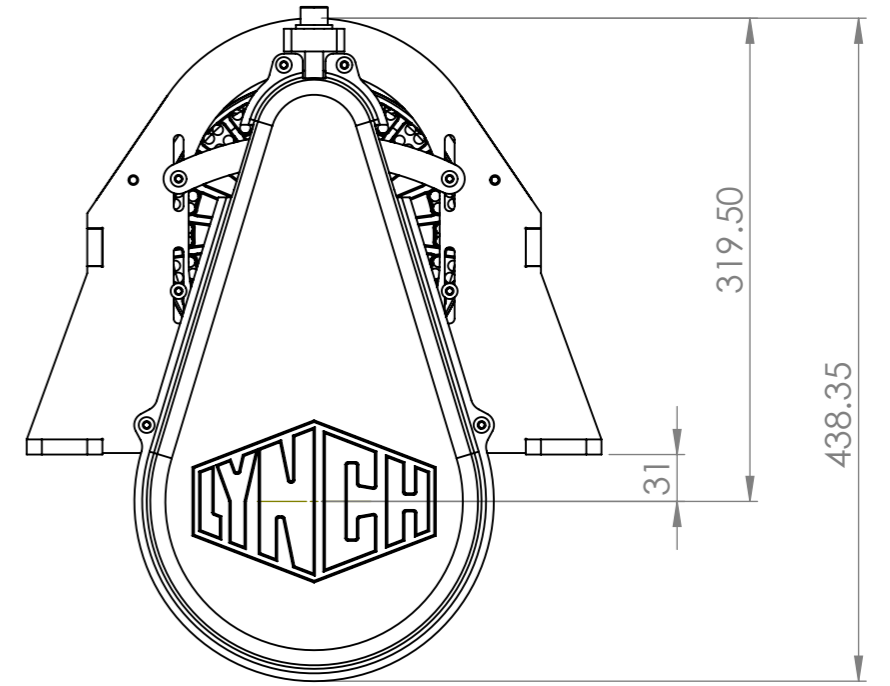
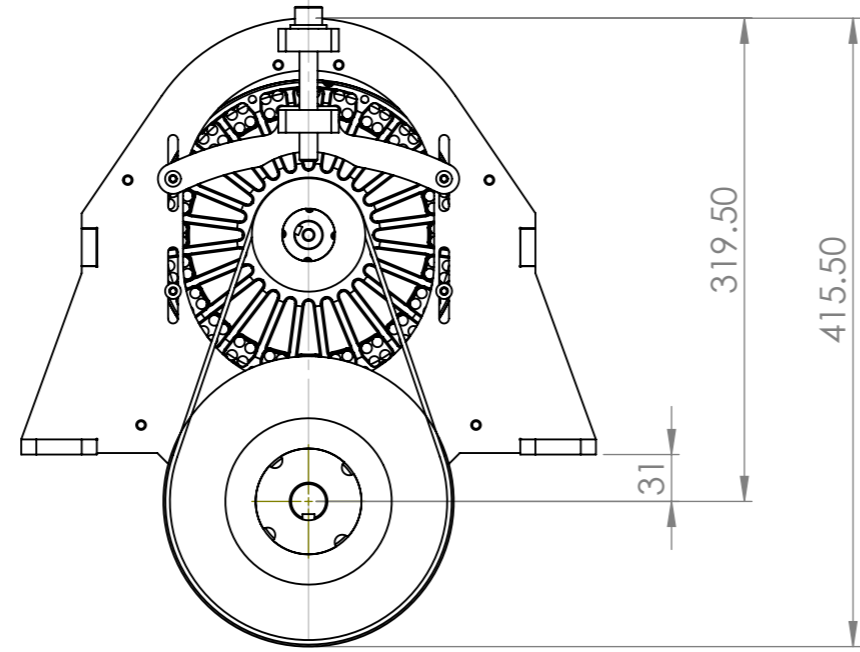
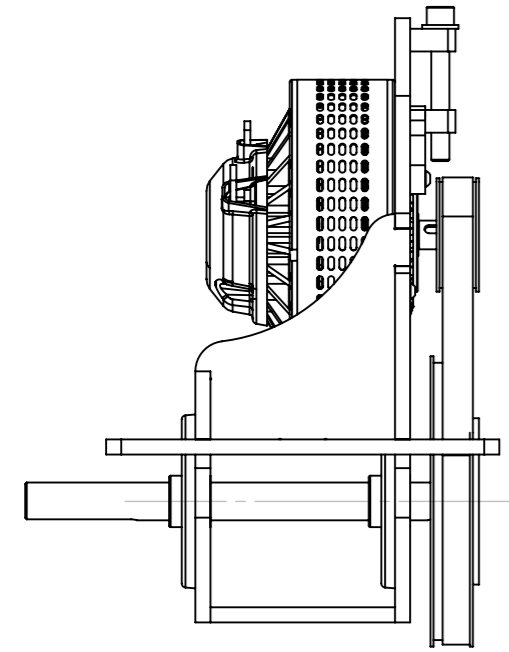
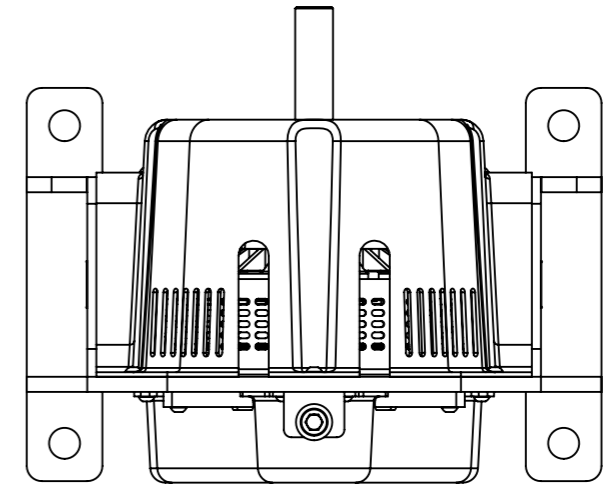
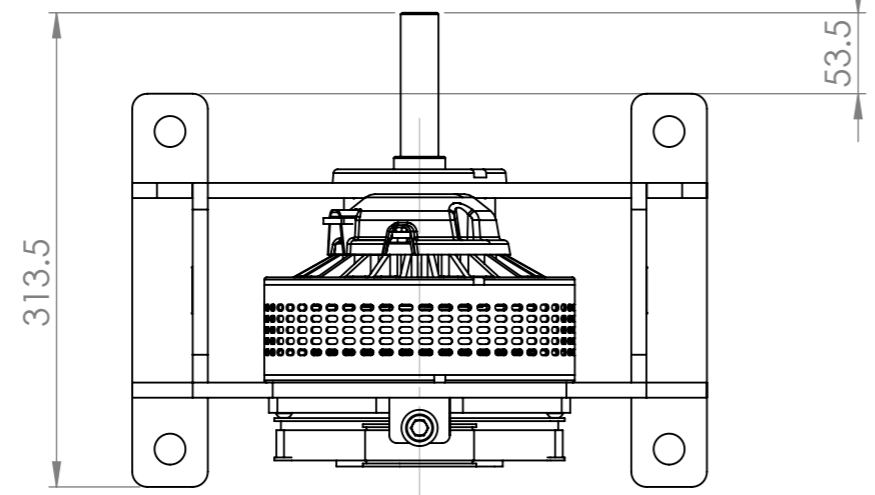
WEIGHT: 17592.817



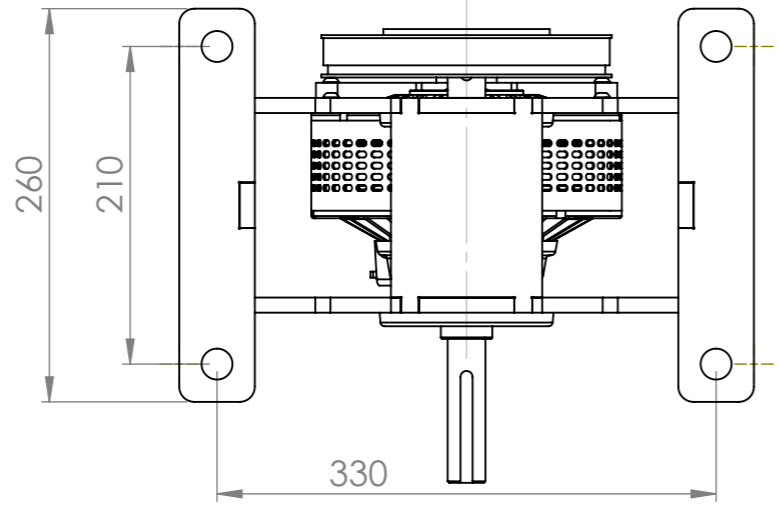
Lynch Motor Company Ltd
Unit 27, Flightway Business Park,
Dunkeswell, Honiton, Devon, EX14 4RJ.
Tel: +44 (0) 1404 892940
Email: info@lynchmotors.co.uk

TITLE: Single Marine Frame	DWG NO. LEM00158A	REVISION 06
SCALE:1:5	SHEET 1 OF 2	

DO NOT SCALE DRAWING



WITH COVERS



DRAWN BY: **Alphatech**
Design & Manufacture
Industrial & Mechanical Design Engineers
www.alphatech-design.co.uk

CONFIDENTIAL
This confidential drawing and copyright therein is the property of L.M.C Ltd, and is neither to be copied in any way nor disclosed to any third party without the prior written consent of L.M.C Ltd.



Lynch Motor Company Ltd
Unit 27, Flightway Business Park,
Dunkeswell, Honiton, Devon, EX14 4RJ.
Tel: +44 (0) 1404 892940
Email: info@lynchmotors.co.uk

	NAME	DATE
DRAWN	CAL	04/09/2012
CHK'D	-	-
APP'V'D	-	-
SUPPLIER:	FINISH:	MATERIAL:
-	-	Material <not specified>
SUPPLIERS PARTNO.		WEIGHT: 17592.817

UNLESS OTHERWISE SPECIFIED:
DIMENSIONS ARE IN MILLIMETERS
TOLERANCES:
LINEAR:
ANGULAR:

TITLE:		DWG NO.	REVISION
Single Marine Frame		LEM00158A	06
SCALE:1:5		SHEET 2 OF 2	