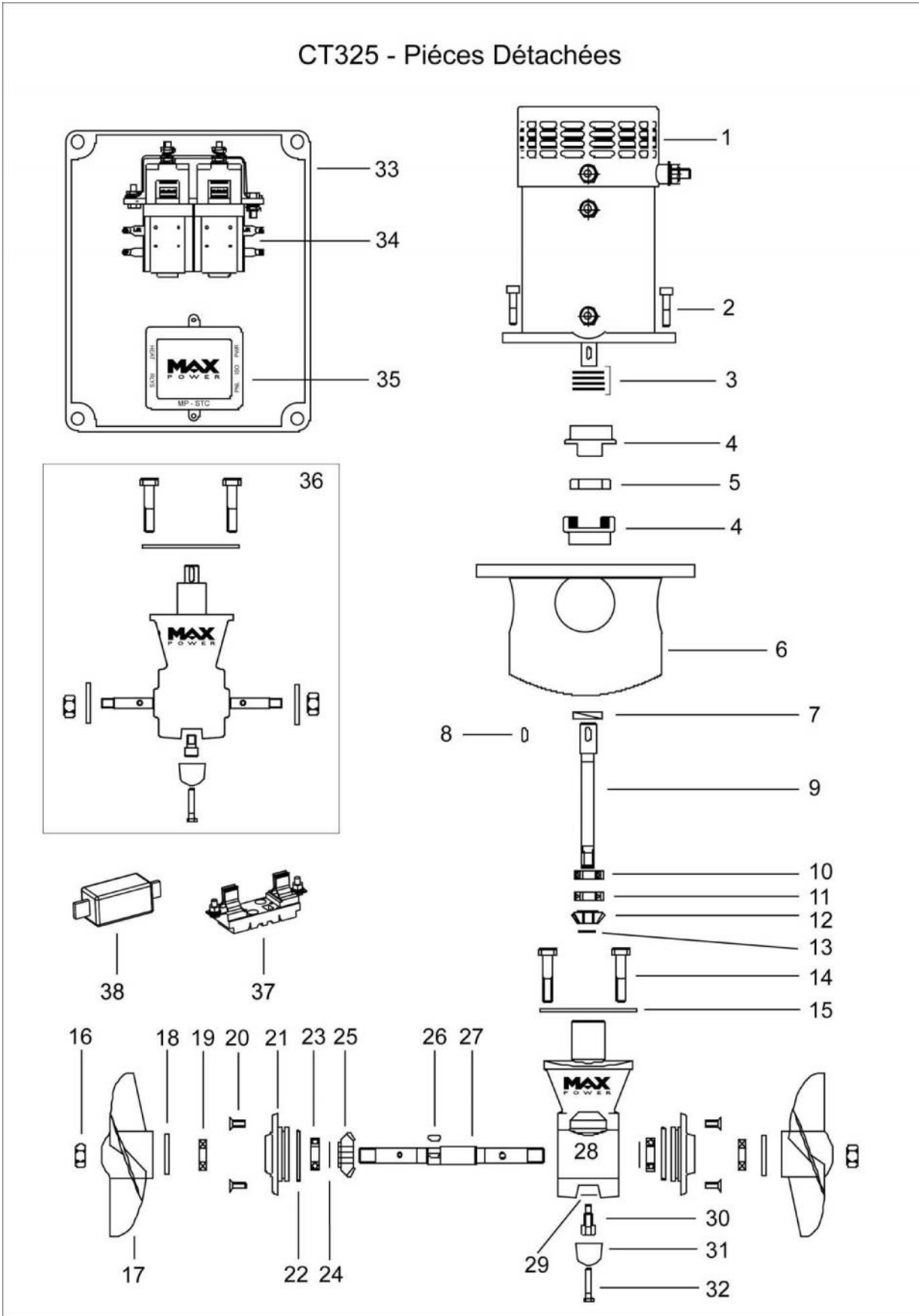


# Spare Parts

## CT325 - Pièces Détachées



<b>N°</b>	<b>Description</b>	<b>Quantity</b>	<b>Old Code</b>	<b>New Code</b>
<b>1</b>	Electric Motor CT325	1	MP203000	312862
	Motor Brushes	8	MPOP3559	310382
	Spring	8	MPOP3520	310383
<b>2</b>	Screws	4	MPOP4070	630496
<b>3</b>	Rondelles	4	-	
<b>4</b>	Coupling aluminium	2	MP662000	633751
<b>5</b>	Coupling PG66	1	MP661000	633749
<b>6</b>	Motor Support CT325	1	MP205020	310370
<b>7</b>	Ring	1	MP205038	633712
<b>8</b>	Shaft Pin	1	MP205035	312020
<b>9</b>	Gearbox main Shaft	1	MP205040	310116
<b>10</b>	Bearing	1	MP205045	310342
<b>11</b>	Lower Bearing	1	MP205050	310341
<b>12</b>	Gearwheel	1	MP205001	633701
<b>13</b>	Circlips	1	MP205002	310295
<b>14</b>	Screws	2	MP204000	630507
<b>15</b>	Leg gasket	1	MP205055	310253
<b>16</b>	Inox Nut	2	MP204005	633697
<b>17</b>	Propeller315	2	MP205015	35033
<b>18</b>	Propeller Pin	2	MPOP5530	312059
<b>19</b>	Propeller seal	2	MP205065	310276
<b>20</b>	Screws	4	MP204010	630504
<b>21</b>	Flange	2	MP205095	310214
<b>22</b>	Flange seal	2	MP205090	310257
<b>23</b>	Propeller bearing	2	MP205085	310348
<b>24</b>	Set of spacers (1 mm)	2	MP205080	310226
<b>25</b>	Propeller gearwheel	1	MP205006	630483

<b>26</b>	Pin for propeller shaft	1	MP205035	312020
<b>27</b>	Propeller shaft	1	MP205070	310117
<b>28</b>	Leg body	1	MP205060	633717
<b>29</b>	Seal	1	MPOP2050	310248
<b>30</b>	Screw	1	MPOP5300	312131
<b>31</b>	Anode	1	MPOP5390	315300
<b>32</b>	Anode screw	1	MPOP5311	312120
<b>33</b>	Relay and Control box assembly	1	MP208055	315334
<b>34</b>				
	Relay 24 V	1	MP203101/2	312922
<b>35</b>	Electronic Controller	1	MPOP5701	315308
<b>36</b>	Metal leg CT325	1	MP208100	315324
<b>37</b>	Fuse holder T2	1	OPTI3091	35018
<b>38</b>	Fuse 400 A	1	OPTI3145	35028
-	Extraction handle for T1 & T2	1	OPTI3118	312882
-	Heat sensor	1	MPOP3720	311363

Last Update: July 2013 by Service Manager/Lalizas Group.  
Please refer to the new codes for your order.