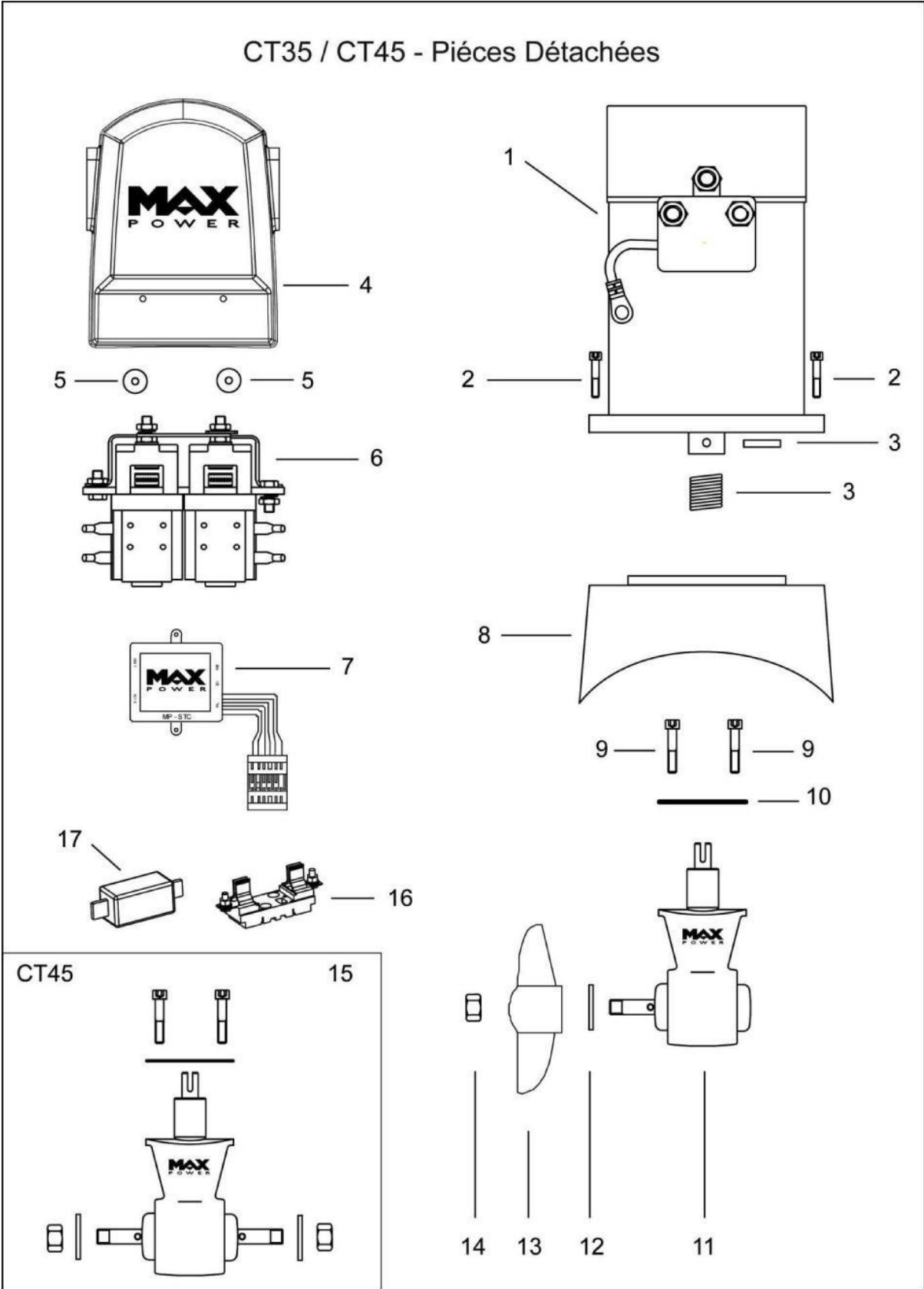


21. SPARE PARTS DIAGRAM



## 22. SPARE PARTS LIST

N°	Description	Quantity	Old Code	New Code
1	Electric Motor CT35 / CT45	1	MP023000	312863
	Motor Brushes (models before 2007)	8	MP028010	312702
	Motor Brushes (models after 2007)	4	MPOP3560	636077
	Spring	4	MPOP3520	310383
2	Screws	4	MP024030	630499
3	Spring & Pivot	1	MP025097	315304
4	Cover	1	MP052020	313734
5	Plastic Nut M4	2	MPOP4022	312038
6	Relay Assembly 12V	1	MP023011	315325
	Relay 12V	1	MP053028/2	312921
7	Electronic Controller	1	MPOP5701	315308
8	Motor support	1	MP028005	313717
9	Screws	2	MP024025	633557
10	Leg gasket	1	MP025090	310255
11	Embase composite CT35 (comprend n° 9,10,12,14)	1	MP028000	315318
12	Propeller Pin	1	MP025070	312058
13	Propeller $\Phi$ 125	1	MP025000	35030
14	Inox Nut $\Phi$ 8	1	RT204070	630492
15	Embase composite CT45 (comprend n° 9,10,12,14)	1	MP028002	310376
16	Fuse Holder T1	1	OPTI3119	35017
17	Fuse 125 A	1	OPTI3114	35021
	Heat Sensor	1	MPOP3720	311363
-	Extraction Handle for T1 & T2	1	OPTI3118	312882