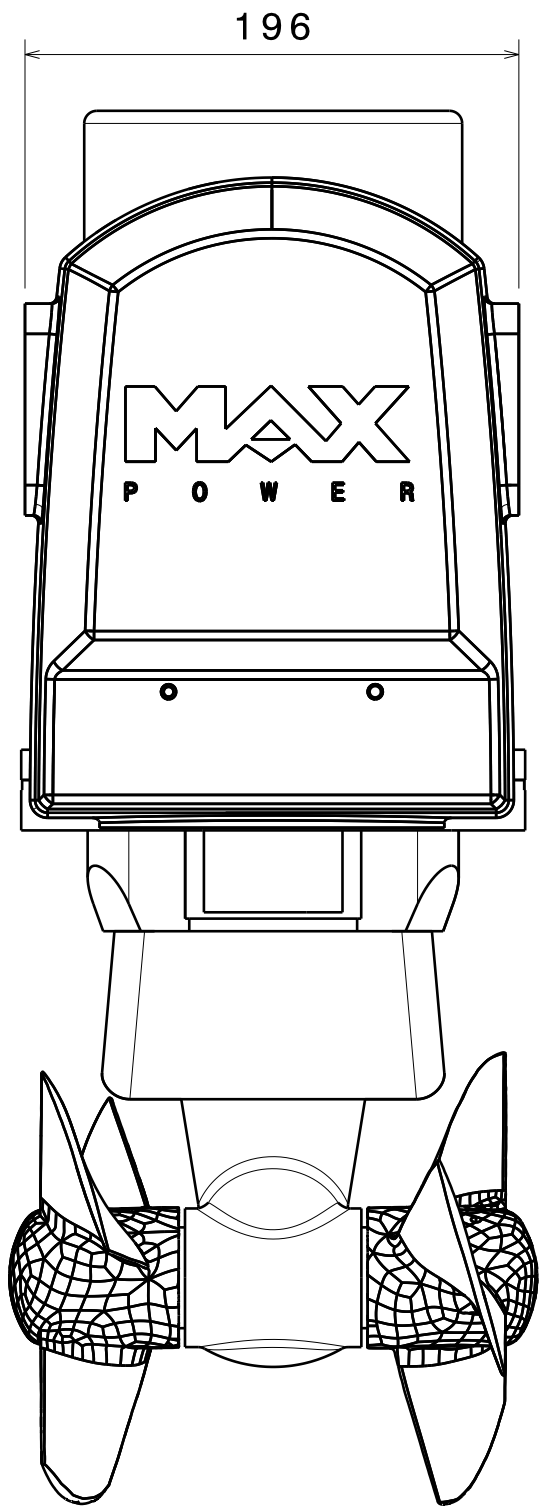
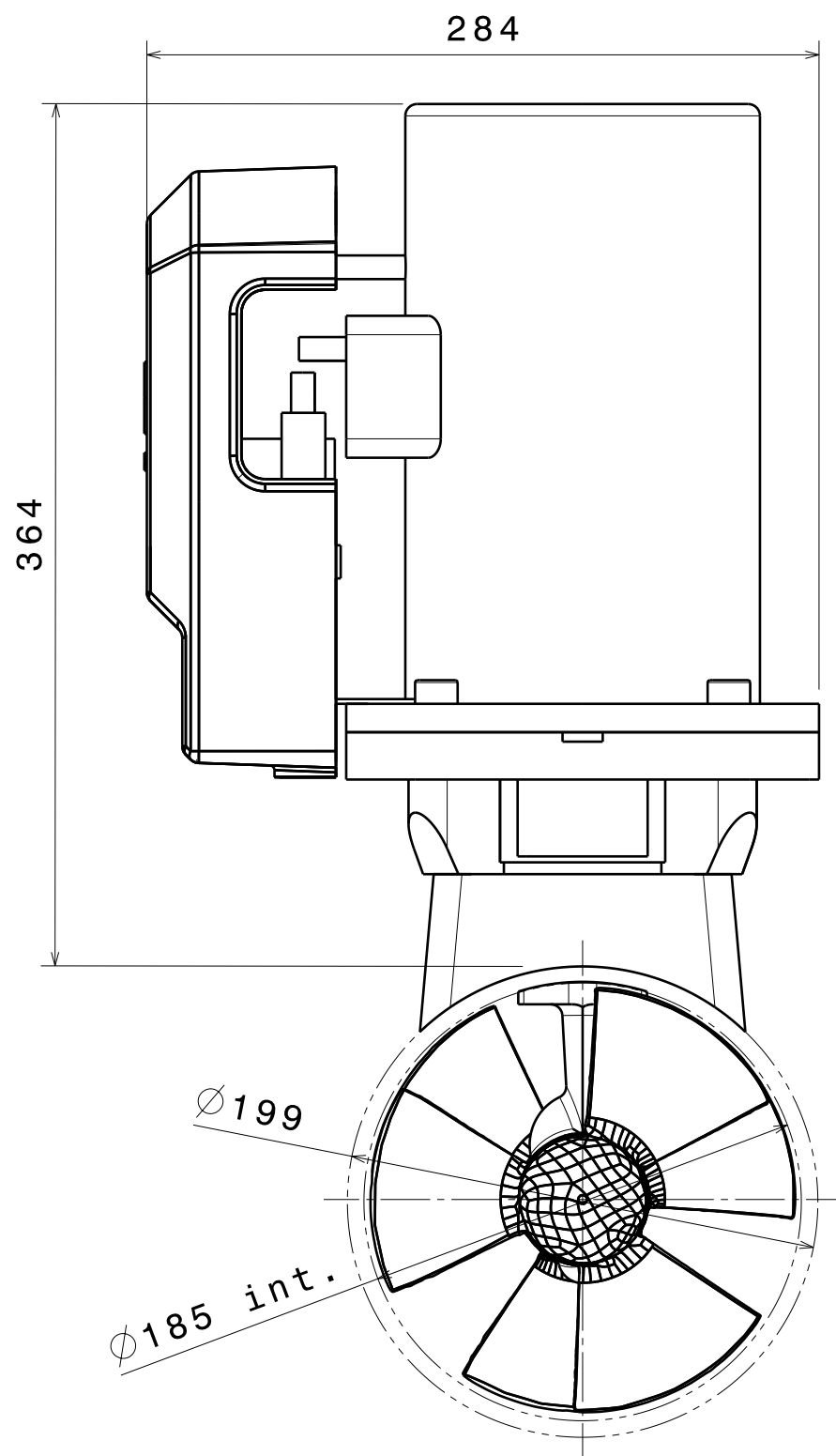


H G F E D C B A



EN CAS DE DOUTE, MERCI DE NOUS CONTACTER
IN CASE OF DOUBT, PLEASE ASK

NOTA :
Dimensions exprimées en mm
Profondeur minimale d'immersion : un diamètre de turbine sous la ligne de flottaison
! Attention aux modifications d'échelles lors de l'impression !

NOTES :
Dimensions in mm
Minimal immersion depth : one turbine diameter under the waterline
! Be careful to scales modifications when printing !

This drawing is our property. It can't be reproduced or communicated without our written agreement.		MAX POWER		
DRAWN BY PBE		DRAWING TITLE 42534&42535-CT100&125 general dimensions		
DATE	CHECKED BY XXX	DATE xxx	SIZE A3	DRAWING NUMBER XXX
DESIGNED BY XXX	DATE xxx	SCALE 1:3	WEIGHT (kg) 24	REV A
			SHEET 1/1	

H G F E D C B A