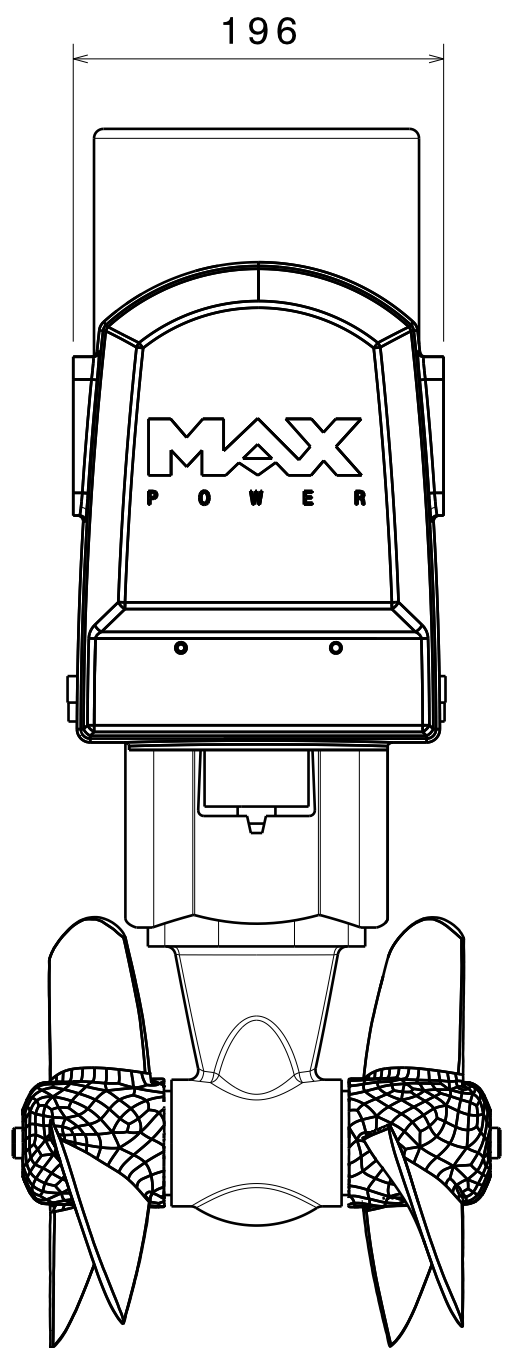
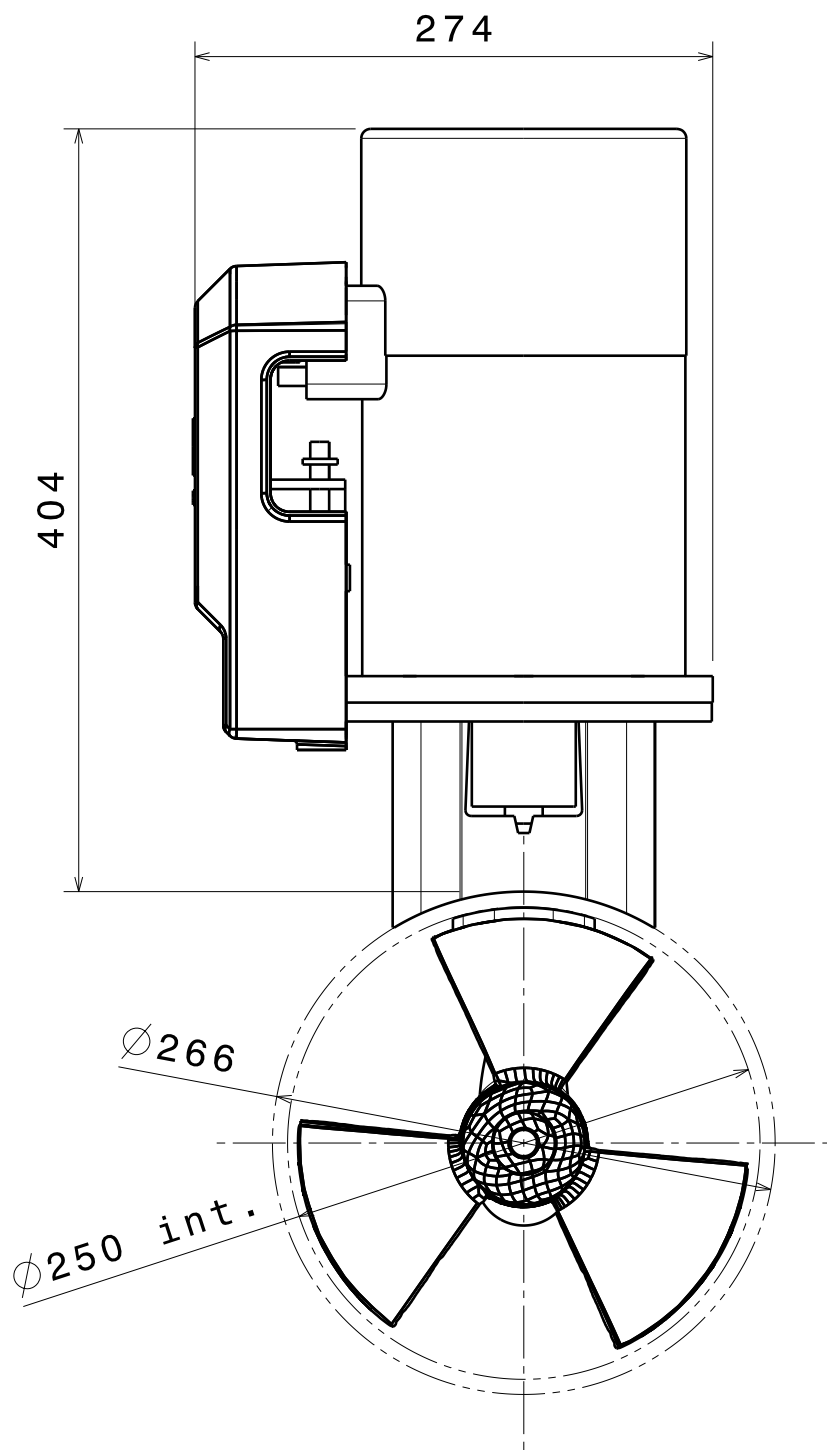


H G F E D C B A



EN CAS DE DOUTE, MERCI DE NOUS CONTACTER  
IN CASE OF DOUBT, PLEASE ASK

**NOTA :**  
Dimensions exprimées en mm  
Profondeur minimale d'immersion : un diamètre de turbine sous la ligne de flottaison  
! Attention aux modifications d'échelles lors de l'impression !

**NOTES :**  
Dimensions in mm  
Minimal immersion depth : one turbine diameter under the waterline  
! Be careful to scales modifications when printing !

This drawing is our property. It can't be reproduced or communicated without our written agreement.		<b>MAX POWER</b>		
DRAWN BY <b>PBE</b>		DRAWING TITLE 317558-CT225 GENERAL DIMENSIONS		
CHECKED BY <b>XXX</b>	DATE xxx	SIZE <b>A3</b>	DRAWING NUMBER <b>XXX</b>	REV <b>A</b>
DESIGNED BY <b>XXX</b>	DATE xxx	SCALE 1:4	WEIGHT (kg) 37	SHEET 1/1

H G B A