

H G F E D C B A

4

3

2

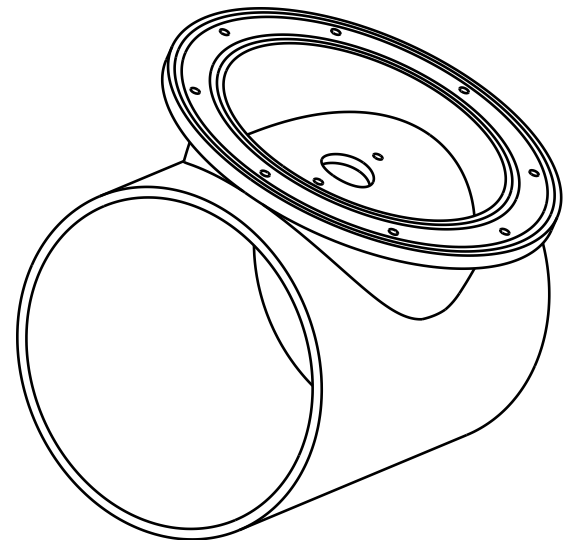
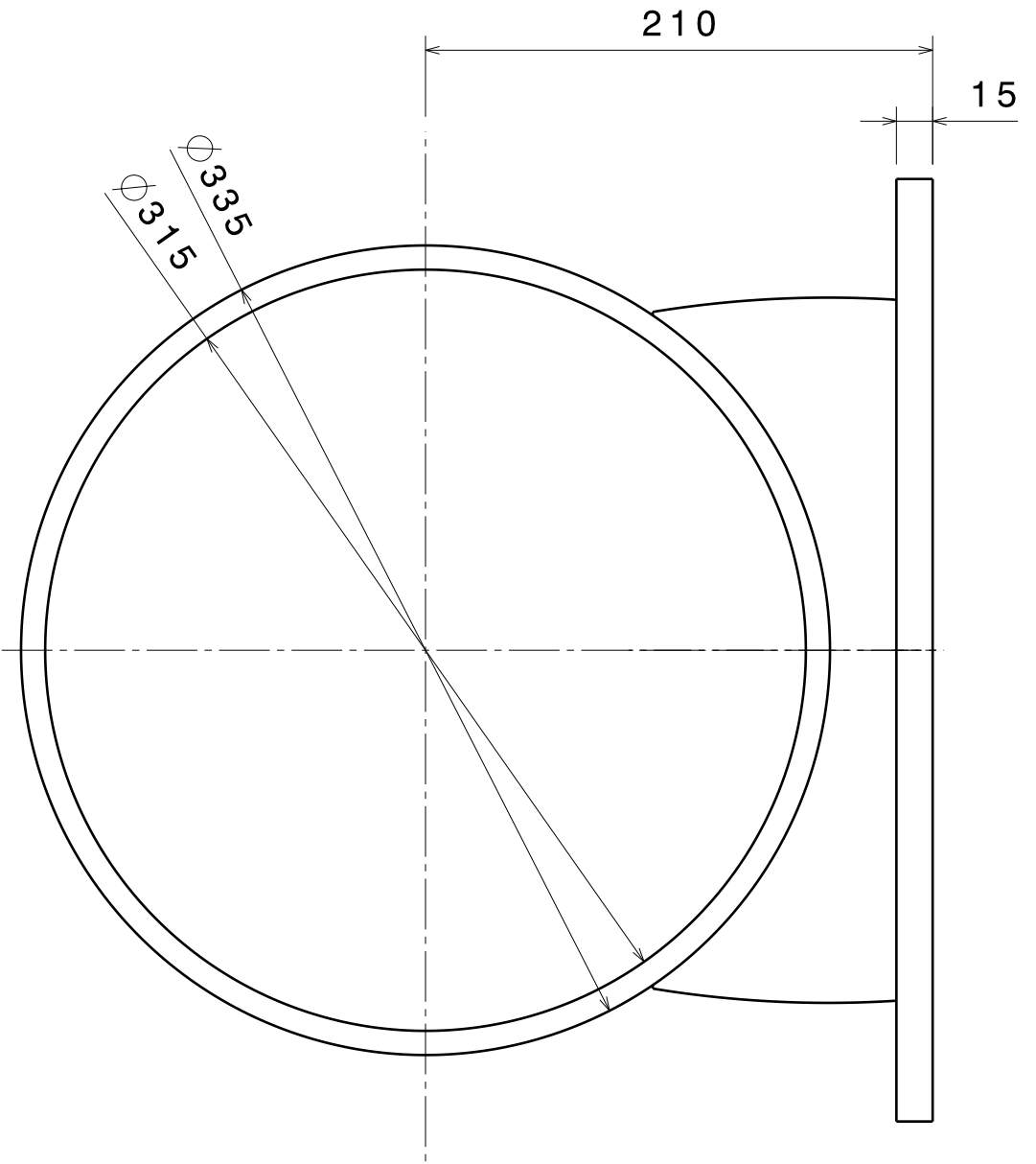
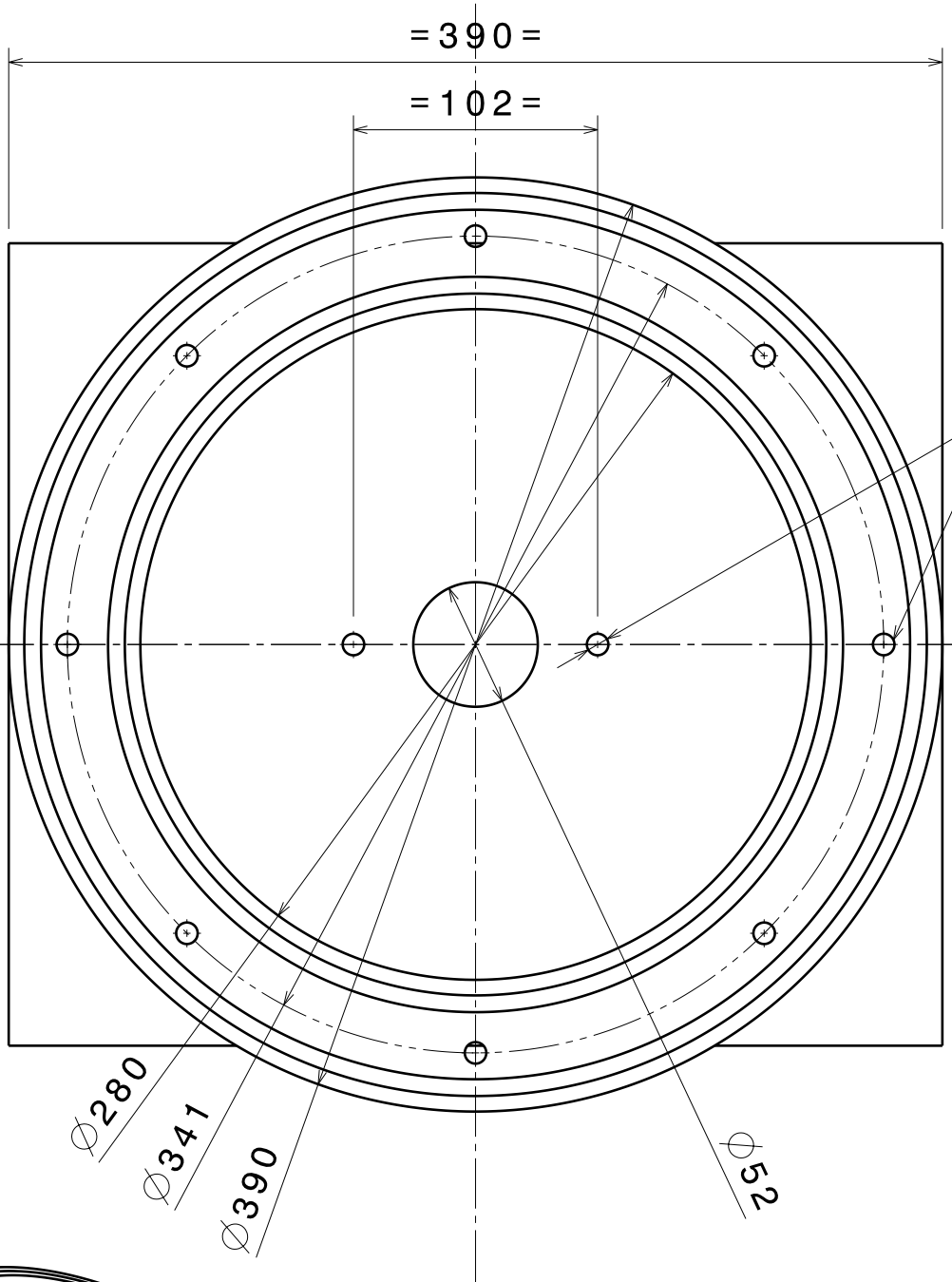
1

4

3

2

1



Isometric view  
Scale : 1:7

MATERIAL : Isophthalic Polyester / Fiber glass, hand layup  
COMPLETION : White gelcoat

This drawing is our property. It can't be reproduced or communicated without our written agreement.		<b>MAX POWER</b>			
DRAWN BY <b>PBE</b>		DATE		DRAWING TITLE <b>STERN TUNNEL D315mm</b>	
CHECKED BY <b>XXX</b>		DATE xxx		SIZE <b>A3</b>	DRAWING NUMBER 35015
DESIGNED BY <b>XXX</b>		DATE xxx		SCALE 1:3	WEIGHT(kg) 8.6
				SHEET 1/1	REV <b>B</b>

H G F E D C B A